

AUTOMATIC SHUTTERS



Auto 100
Auto 125
Auto 150

Use

- Exhaust air fan

Application

- Residential premises
- Flats, cottages
- Offices
- Utility spaces
- Trade premises
- Restaurants
- Job sites
- Health care facilities
- Child care facilities

Options

Pull-cord switch

Pull-cord switch

Timer

Timer

- Time delay range from 2 to 30 min

Humidity sensor

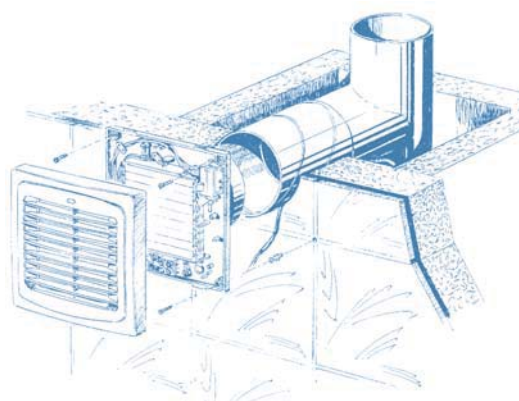
Humidity

- Humidity level range from 60 to 90%
- Time delay range from 2 to 30 min

Motion sensor

Motion sensor

- Reach distance 1 to 4 m
- Sensor viewing angle up to 100°
- Time delay range from 2 to 30 min

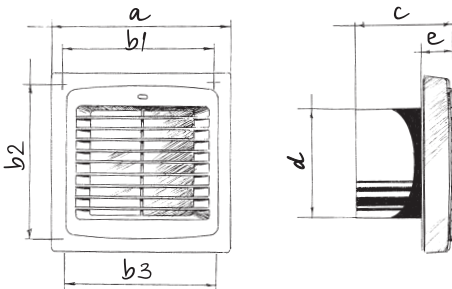


Features

- Wall mounting
- Easy maintenance
- Long continuous work
- Automatic shutters
- Ball bearing motor
- 5 years guarantee

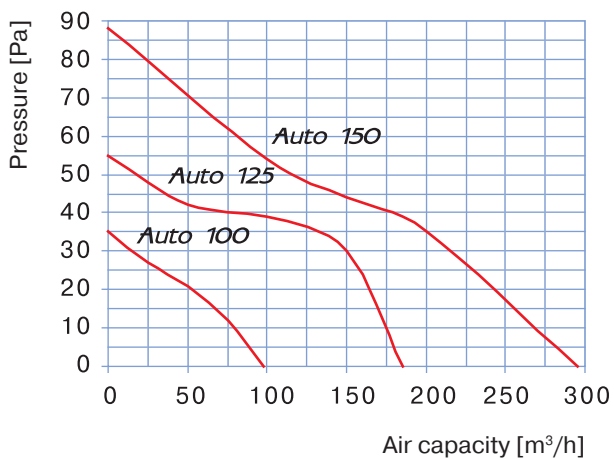
Type	Pull-cord switch	Timer	Humidity sensor	Motion sensor
Auto 100				
100 S	●			
100 T		●		
100 ST	●	●		
100 H		●	●	
100 SH	●	●	●	
100 IR		●		○
Auto 125				
125 S	●			
125 T		●		
125 ST	●	●		
125 H		●	●	
125 SH	●	●	●	
125 IR		●		○
Auto 150				
150 S	●			
150 T		●		
150 ST	●	●		
150 H		●	●	
150 SH	●	●	●	
150 IR		●		○

Overall and mounting dimensions



Type	Dimensions [mm]						
	a	b1	b2	b3	c	d	e
Auto 100	166	150	150	150	90	100	30
Auto 125	186	128	173	174	98	125	33
Auto 150	210	150	195	196	115	150	34

Technical data



Parameters	Auto 100	Auto 125	Auto 150
Voltage [V]	220-240	220-240	220-240
Power [W]	18	22	26
Air capacity [m³/h]	98	185	295
Noise level [dB(A) 3m]	34	35	39
RPM [min ⁻¹]	2300	2400	2400



Packing

